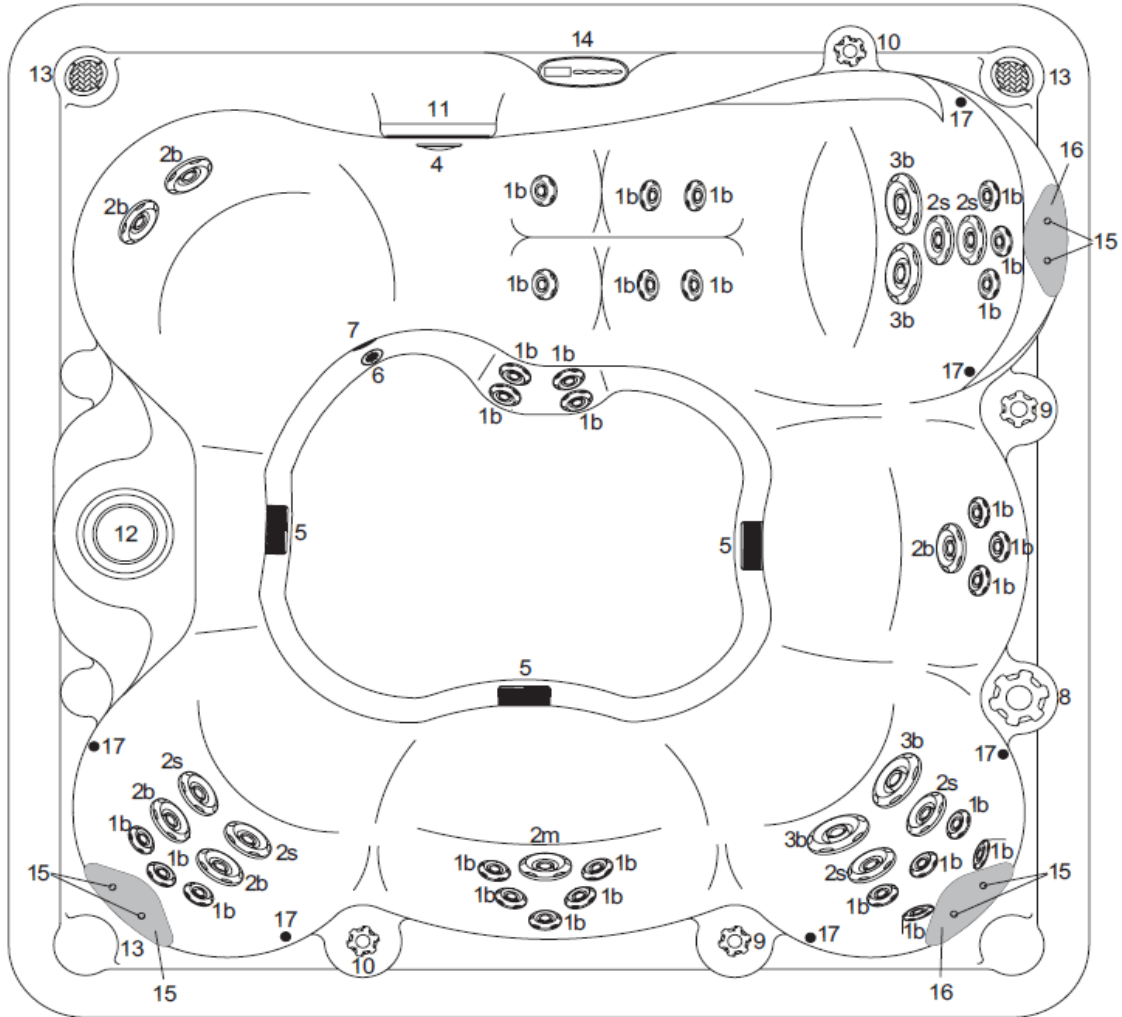


# 2012-2013 Celebrity Hot Tubs Parts Book



**Celebrity**HotTubs  
DROP IN FOR SOME FUN!

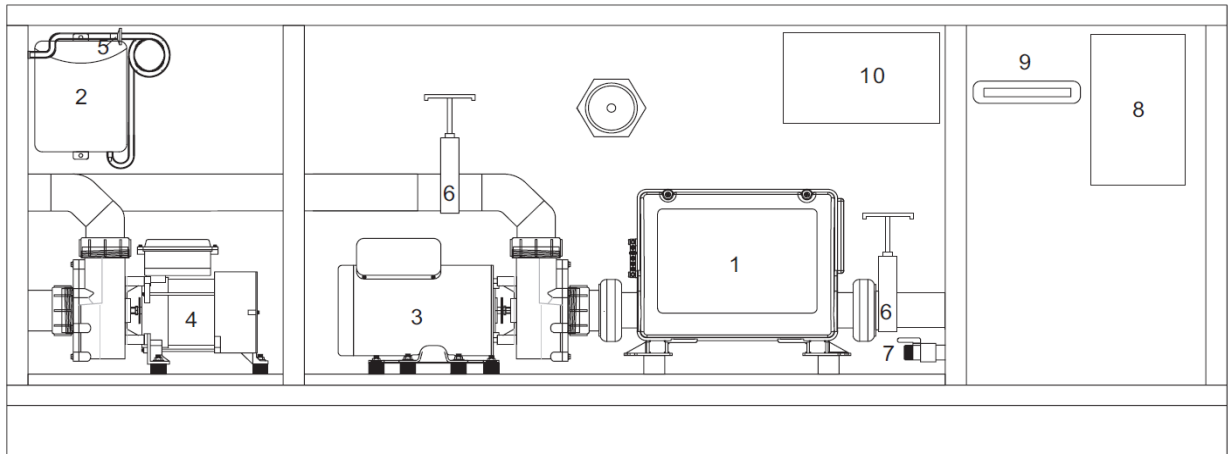
2012-13 Hollywood



Physical Specifications	Size
Dimensions	84" x 84"
Height	34"
Seating Capacity/Positions	6/6
Weight Dry/Lbs.	740
Weight Full/Lbs.	3659
Water Capacity/Gallons	350
Total Therapy Jets	45

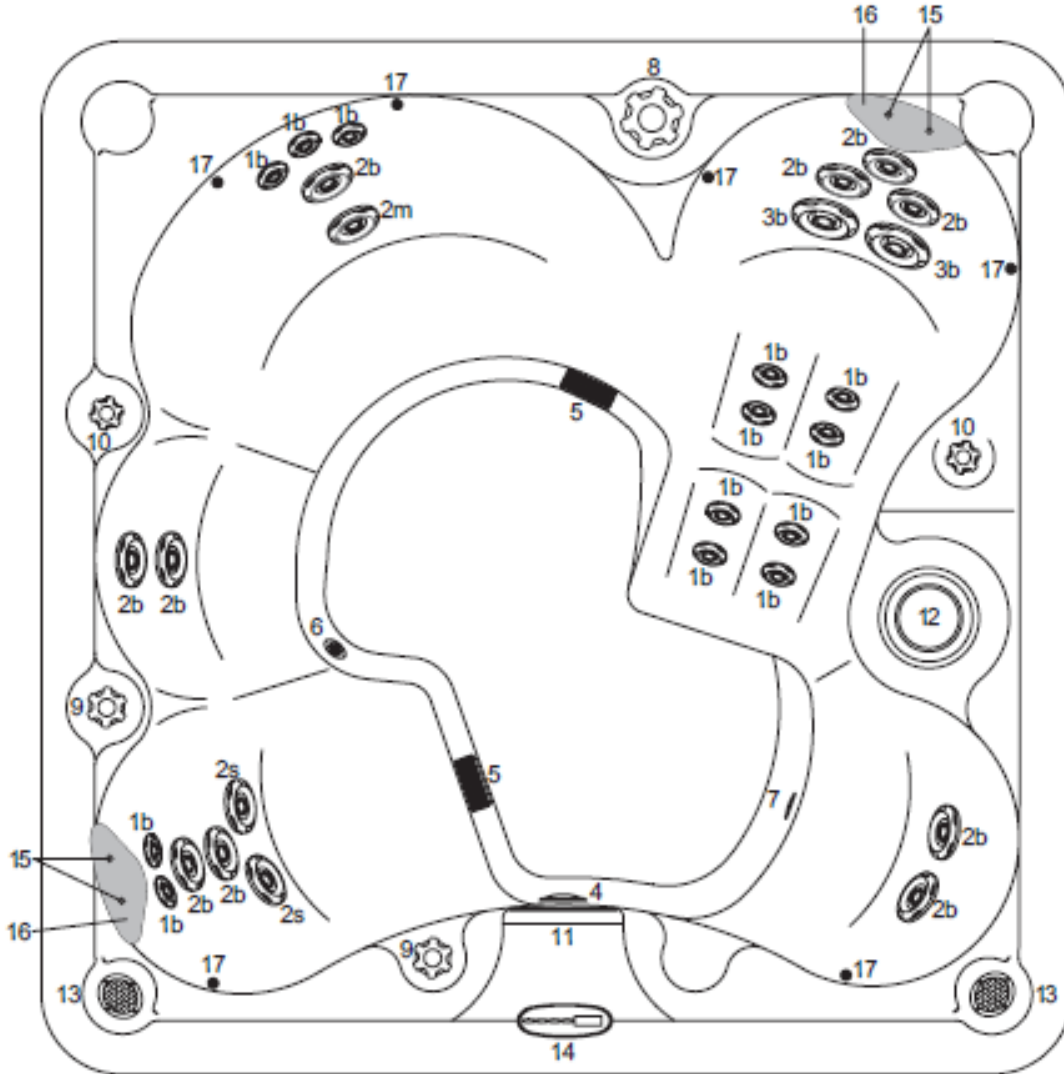
1. 320-6773 200 Series Jet Insert
1. 320-6724 200 Series SS Jet Insert
1. 320-6754 200 Series Jet Assembly
2. 320-6774 300 Series Jet Insert Directional
2. 320-6726 300 Series SS Jet Insert Directional
2. 320-6775 300 Series Jet Insert Rotator
2. 320-6727 300 Series SS Jet Insert Rotator
2. 320-6755 300 Series Jet Assembly
3. 320-6776 400 Series Jet Insert Directional
3. 320-6729 400 Series SS Jet Insert Directional
- 3 320-6756 400 Series Jet Assembly
4. 740-0639 Light Assembly
4. 740-0295 LED Light Bulb
5. 320-6764 Suction Assembly
5. 320-6758 Suction Cover
6. 320-6752 Floor Drain
7. 320-6733 Ozone Jet
8. 350-6304 Jet Selector Valve
8. 350-6315 Jet Selector Insert & Handle
9. 350-6303 Neck & Waterfall Valve
9. 350-6326 Neck & Jet Waterfall Insert
10. 340-6251 Air Control Valve
11. 370-0681 Waterfall
12. 370-0245 Canister Assembly
12. 20342 25 SQ FT Filter
12. 370-0247 Canister Basket
12. 370-0248 Weir and Lid for Canister
14. 650-0717 Topside Panel
14. 650-0718 Topside Panel Overlay
16. 990-6373 Pillow
17. 710-0289 Theater LED

## Hollywood Equipment



1. 650-0716 Spa Pack
1. 600-6309 Top PC Board (transformer)
1. 600-6310 Bottom PC Board
2. 650-0553 Ozonator
3. 630-6117 Pump 1
4. 630-6124 Pump 2
5. 350-0519 ¼" Ozone Check Valve
6. 350-6225 2" Slice Valve
7. 360-0215 Drain Valve
8. 740-0695 Amp (2012 models)
9. 740-0680 MP3 Docking Drawer (2012 models)
10. 740-0700 Stereo Receiver
10. 740-0208 Power Supply

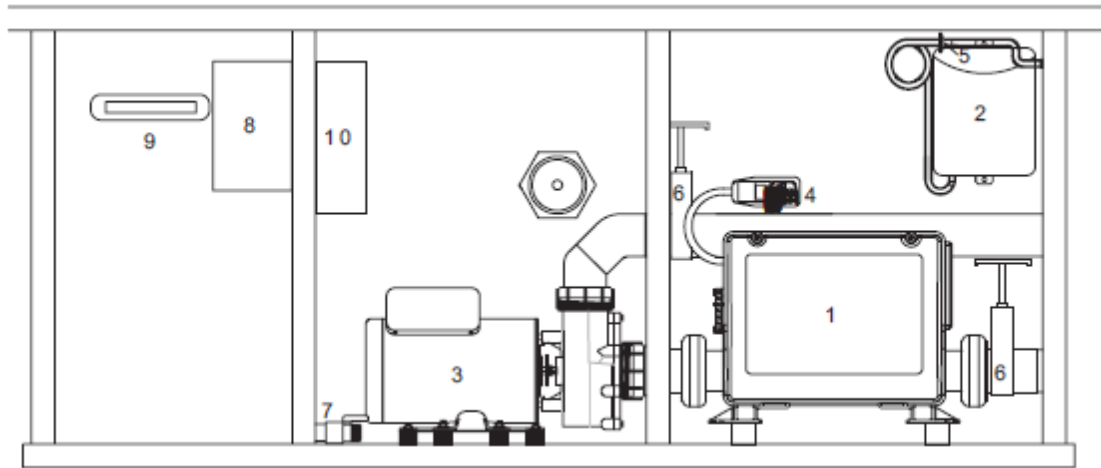
2012-13 Broadway



Physical Specifications	Size
Dimensions	77" x 77"
Height	34"
Seating Capacity/Positions	4/5
Weight Dry/Lbs.	500
Weight Full/Lbs.	3085
Water Capacity/Gallons	310
Total Therapy Jets	28

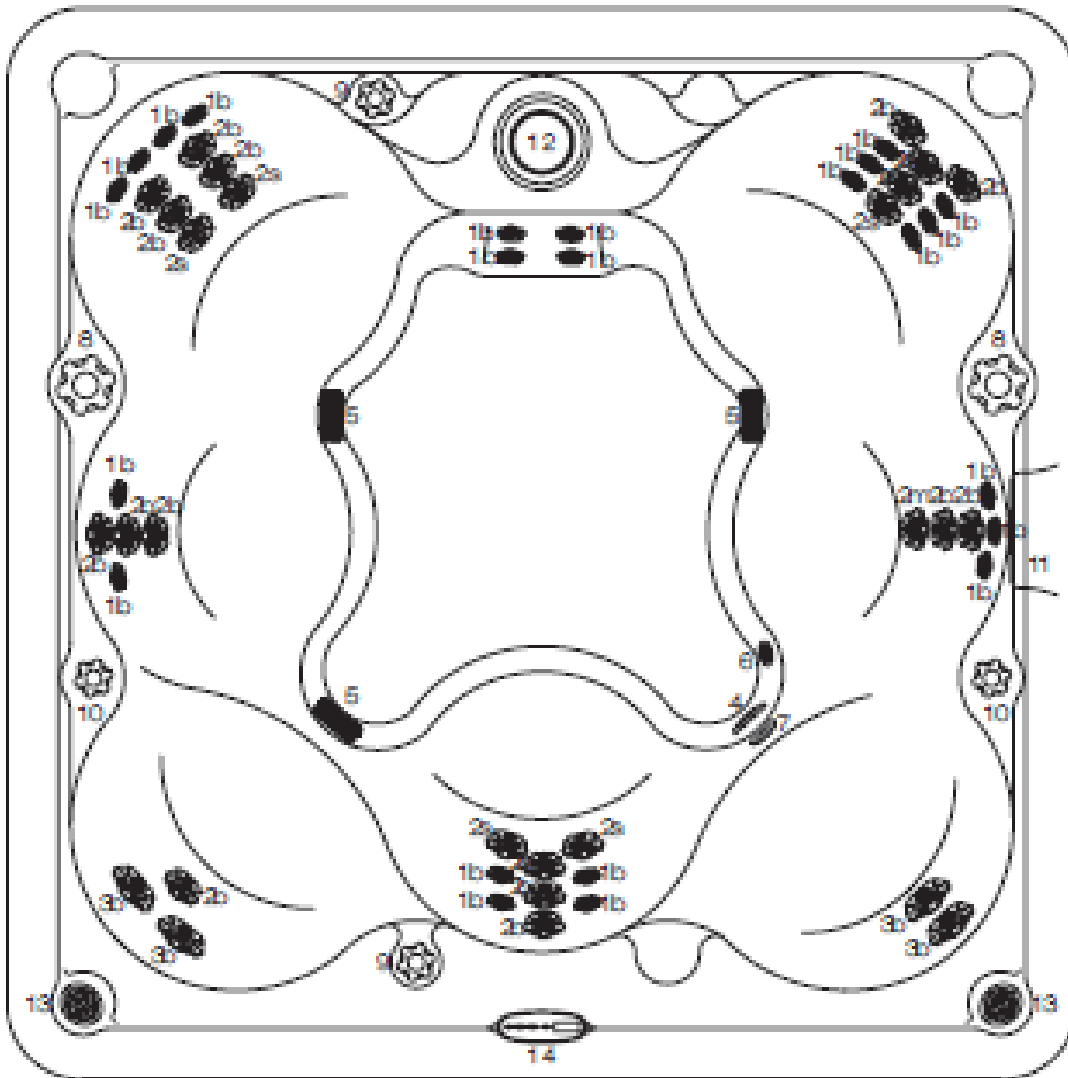
1. 320-6773 200 Series Jet Insert
1. 320-6724 200 Series SS Jet Insert
1. 320-6754 200 Series Jet Assembly
2. 320-6774 300 Series Jet Insert Directional
2. 320-6726 300 Series SS Jet Insert Directional
2. 320-6775 300 Series Jet Insert Rotator
2. 320-6727 300 Series SS Jet Insert Rotator
2. 320-6755 300 Series Jet Assembly
3. 320-6776 400 Series Jet Insert Directional
3. 320-6729 400 Series SS Jet Insert Directional
- 3 320-6756 400 Series Jet Assembly
4. 740-0639 Light Assembly
4. 740-0295 LED Light Bulb
5. 320-6764 Suction Assembly
5. 320-6758 Suction Cover
6. 320-6752 Floor Drain
7. 320-6733 Ozone Jet
8. 350-6304 Jet Selector Valve
8. 350-6315 Jet Selector Insert & Handle
9. 350-6303 Neck & Waterfall Valve
9. 350-6326 Neck & Jet Waterfall Insert
10. 340-6251 Air Control Valve
11. 370-0681 Waterfall
12. 370-0245 Canister Assembly
12. 20342 25 SQ FT Filter
12. 370-0247 Canister Basket
12. 370-0248 Weir and Lid for Canister
14. 650-0717 Topside Panel
14. 650-0718 Topside Panel Overlay
16. 990-6373 Pillow
17. 710-0289 Theater LED

## Broadway Equipment



1. 650-0716 Spa Pack
1. 600-6309 Top PC Board (transformer)
1. 600-6310 Bottom PC Board
2. 650-0553 Ozonator
3. 630-6117 Pump 1
4. 740-0569 GFCI Cord
5. 350-0519 ¼" Ozone Check Valve
6. 350-6225 2" Slice Valve
7. 360-0215 Drain Valve
8. 740-0695 Amp (2012 models)
9. 740-0680 MP3 Docking Drawer (2012 models)
10. 740-0700 Stereo Receiver
10. 740-0208 Power Supply

2013 Vegas

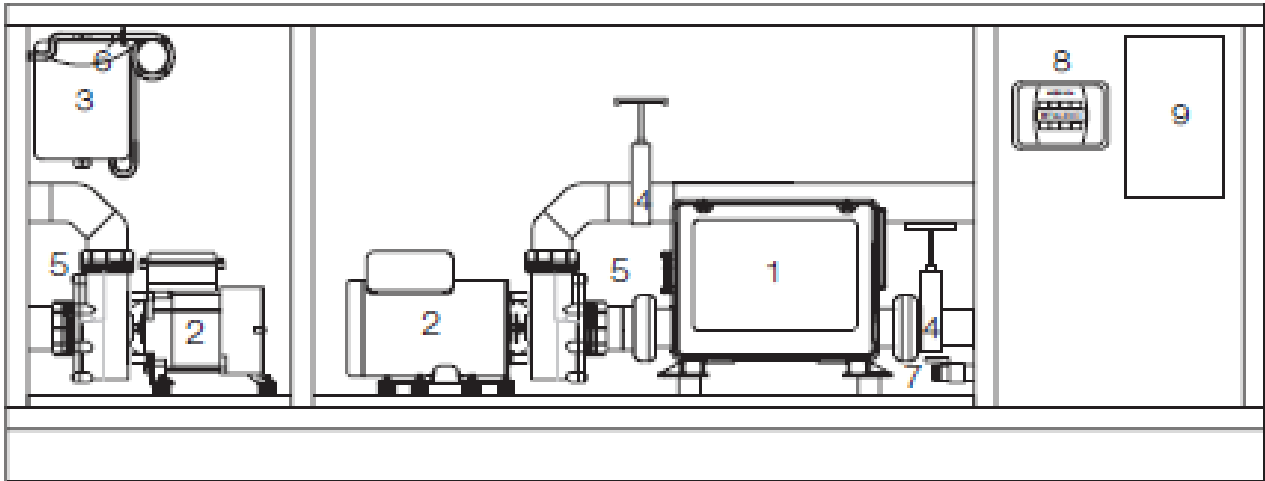


Physical Specifications	Size
Dimensions	84" x 84"
Height	34"
Seating Capacity/Positions	7/7
Weight Dry/Lbs.	800
Weight Full/Lbs.	3885
Water Capacity/Gallons	370
Total Therapy Jets	50



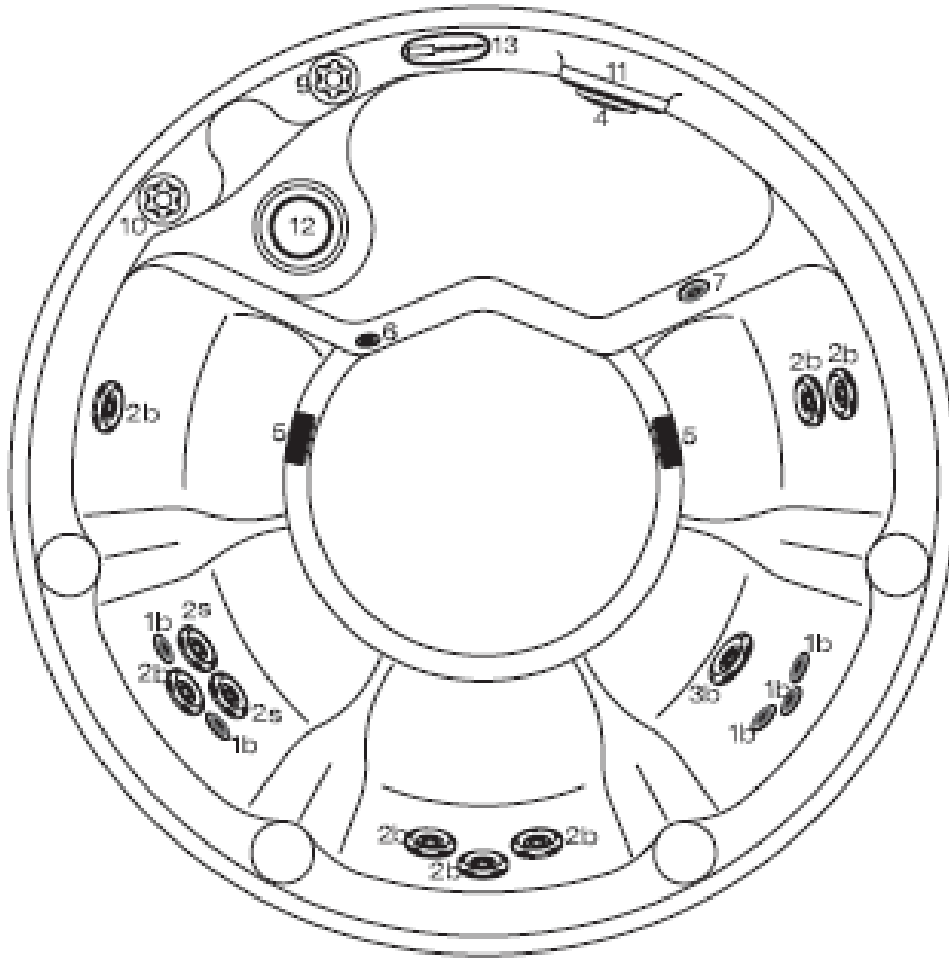
1. 320-6773 200 Series Jet Insert
1. 320-6724 200 Series SS Jet Insert
1. 320-6754 200 Series Jet Assembly
2. 320-6774 300 Series Jet Insert Directional
2. 320-6726 300 Series SS Jet Insert Directional
2. 320-6775 300 Series Jet Insert Rotator
2. 320-6727 300 Series SS Jet Insert Rotator
2. 320-6755 300 Series Jet Assembly
3. 320-6776 400 Series Jet Insert Directional
3. 320-6729 400 Series SS Jet Insert Directional
- 3 320-6756 400 Series Jet Assembly
4. 740-0639 Light Assembly
4. 740-0295 LED Light Bulb
5. 320-6764 Suction Assembly
5. 320-6758 Suction Cover
6. 320-6752 Floor Drain
7. 320-6733 Ozone Jet
8. 350-6304 Jet Selector Valve
8. 350-6315 Jet Selector Insert & Handle
9. 350-6303 Neck & Waterfall Valve
9. 350-6326 Neck & Jet Waterfall Insert
10. 340-6251 Air Control Valve
11. 370-0681 Waterfall
12. 370-0245 Canister Assembly
12. 20342 25 SQ FT Filter
12. 370-0247 Canister Basket
12. 370-0248 Weir and Lid for Canister
14. 650-0717 Topside Panel
14. 650-0718 Topside Panel Overlay
16. 990-6373 Pillow
17. 710-0289 Theater LED

## Vegas Equipment



1. 650-0716 Spa Pack
1. 600-6309 Top PC Board (transformer)
1. 600-6310 Bottom PC Board
2. 630-6117 Pump 1
2. 630-6124 Pump 2
3. 650-0553 Ozonator
4. 310-6225 2" Slice Valve
5. 600-0878 2" Union
6. 350-0519 ¼" Ozone Check Valve
7. 360-0215 Drain Valve
8. 740-0700 Stereo Receiver
9. 740-0208 Power Supply

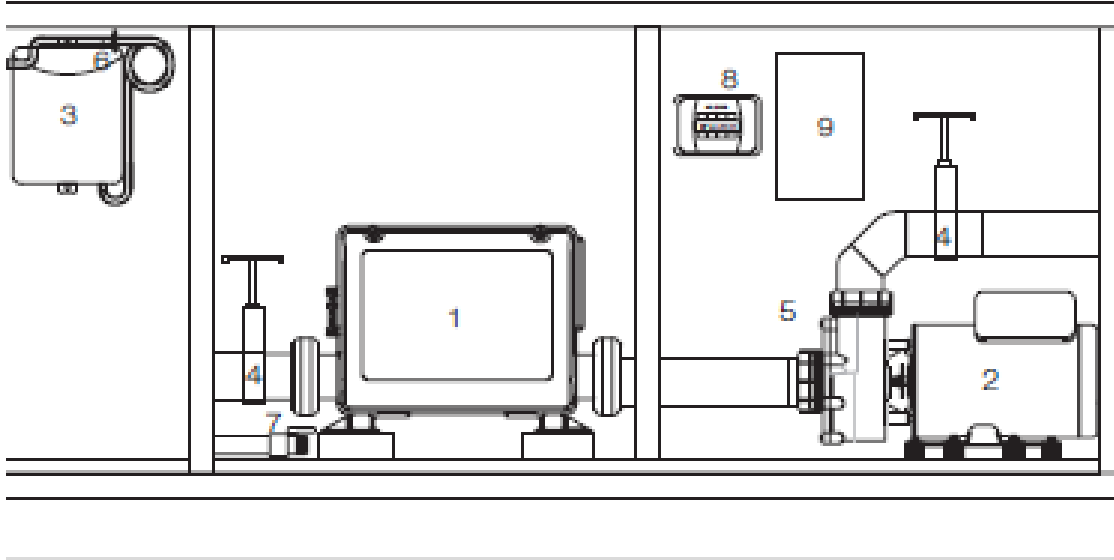
2013 Napa



Physical Specifications	Size
Dimensions	76" round
Height	34"
Seating Capacity/Positions	5/6
Weight Dry/Lbs.	550
Weight Full/Lbs.	2635
Water Capacity/Gallons	250
Total Therapy Jets	15

1. 320-6773 200 Series Jet Insert
1. 320-6724 200 Series SS Jet Insert
1. 320-6754 200 Series Jet Assembly
2. 320-6774 300 Series Jet Insert Directional
2. 320-6726 300 Series SS Jet Insert Directional
2. 320-6775 300 Series Jet Insert Rotator
2. 320-6727 300 Series SS Jet Insert Rotator
2. 320-6755 300 Series Jet Assembly
3. 320-6776 400 Series Jet Insert Directional
3. 320-6729 400 Series SS Jet Insert Directional
- 3 320-6756 400 Series Jet Assembly
4. 740-0639 Light Assembly
4. 740-0295 LED Light Bulb
5. 320-6764 Suction Assembly
5. 320-6758 Suction Cover
6. 320-6752 Floor Drain
7. 320-6733 Ozone Jet
9. 350-6303 Waterfall Valve
9. 350-6326 Waterfall Insert
10. 340-6251 Air Control Valve
11. 370-0681 Waterfall
12. 370-0245 Canister Assembly
12. 20342 25 SQ FT Filter
12. 370-0247 Canister Basket
12. 370-0248 Weir and Lid for Canister
13. 650-0717 Topside Panel
13. 650-0718 Topside Panel Overlay

## Napa Equipment



1. 650-0716 Spa Pack
1. 600-6309 Top PC Board (transformer)
1. 600-6310 Bottom PC Board
2. 630-6087 Pump
3. 650-0553 Ozonator
4. 310-6225 2" Slice Valve
5. 600-0878 2" Union
6. 350-0519 ¼" Ozone Check Valve
7. 360-0215 Drain Valve
8. 740-0700 Stereo Receiver
9. 740-0208 Power Supply

## ACCESORIES

1. 740-0700 Stereo receiver
2. 740-0680 Docking Drawer 2012
3. 740-0696 Flush Mount Speaker 2013
4. 740-0183 Pop Up Speaker 2012
5. 740-0286 Theater Light Lens
6. 740-0287 Theater Light Lens Nut
7. 740-0288 2-Way LED Light
8. 740-0289 4-Way LED Light
9. 740-0291 72" Extension Cable for LED Lights
10. 740-0292 60" Extension Cable for LED Lights
11. 740-0294 9 Bulb LED Main Light