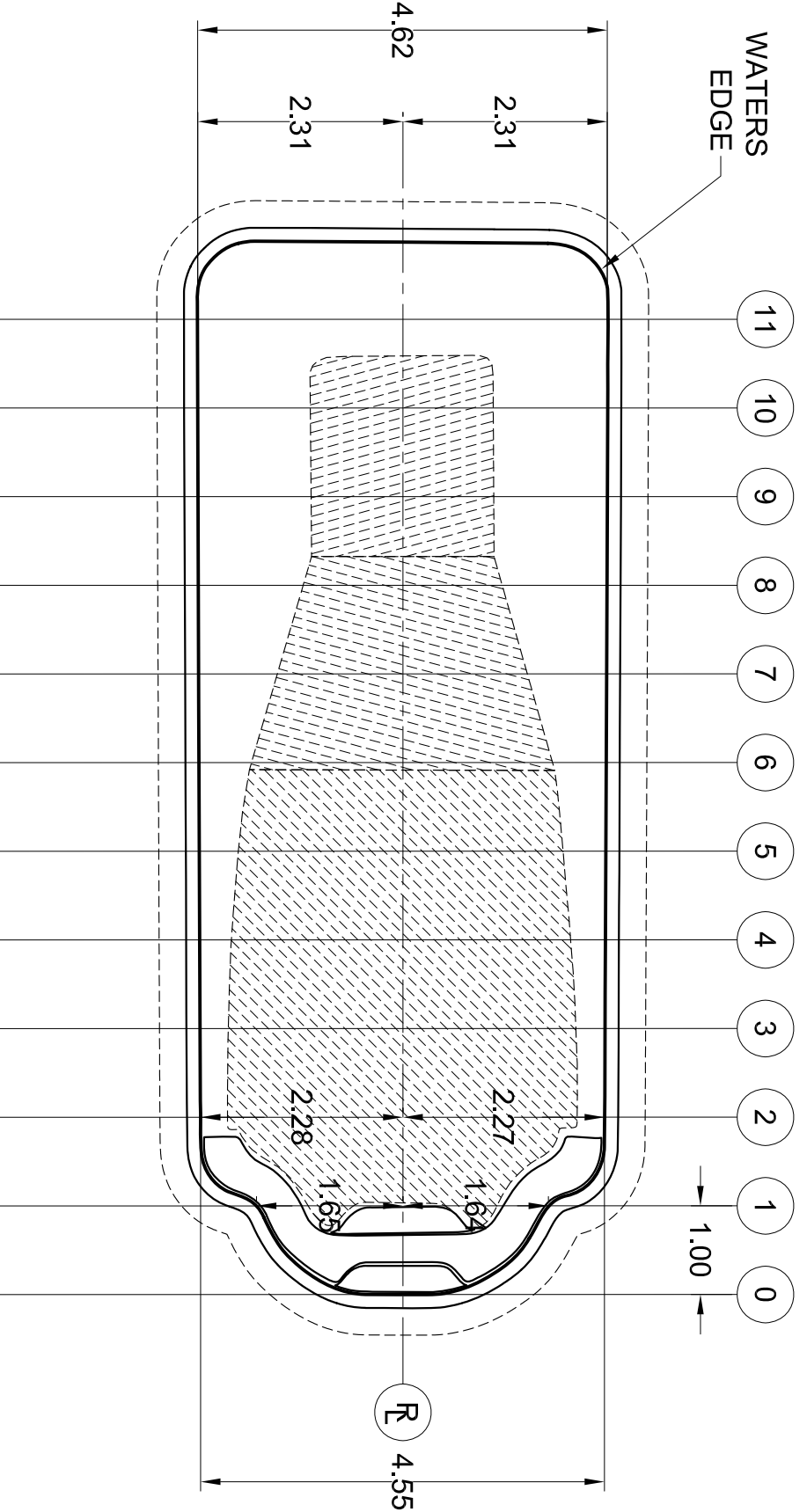
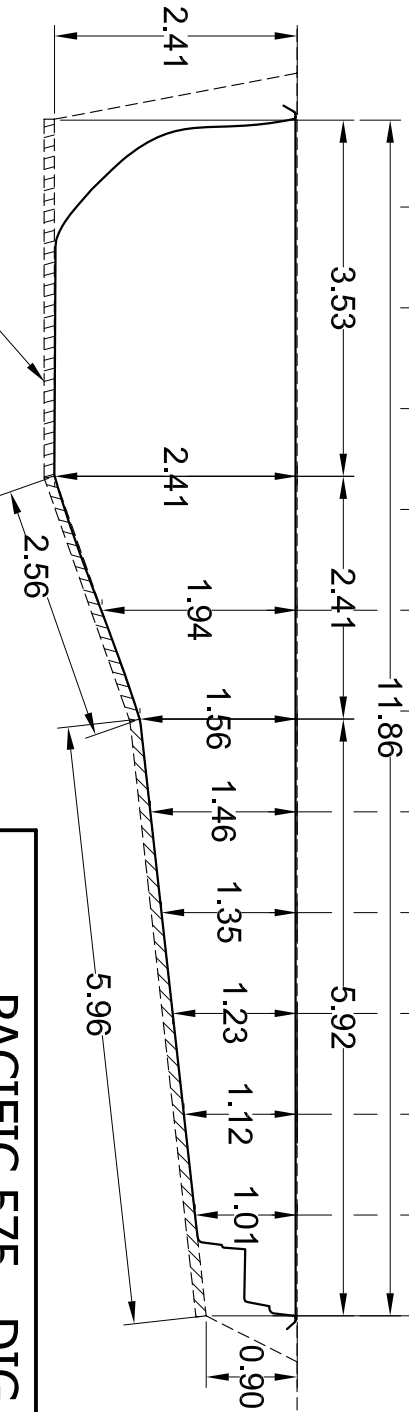


ALL MEASUREMENTS TO WATERS EDGE - ADD PREFERRED OVERDIG



0.1 SAND BED



WEIGHT: 14110 kgs  
 AREA: 51.9 sq m  
 PERIMETER: 30.8 m  
 VOLUME: 77800 l

# PACIFIC 575 - DIG PLAN

SCALE 1:75

DATE 08-04-08

DRAWN BY KLB

REVISION 01

ALL MEASUREMENTS AND QUANTITIES ARE BASED ON AVERAGES