



**Celebrity**HotTubs  
DROP IN FOR SOME FUN!

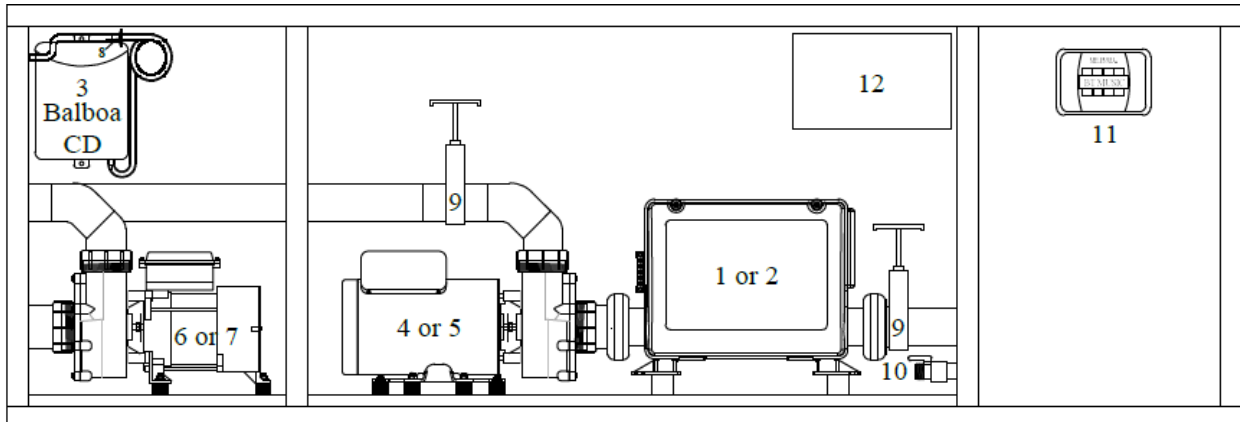
# **2018 EU Celebrity Hot Tubs Parts Book**



## 2018 Hollywood

- 1b. 320-6773 200 Series Jet Insert
- 1b. 320-6724 200 Series SS Jet Insert
- 1. 320-6754 200 Series Jet Assembly
- 2b. 320-6774 300 Series Jet Insert Directional
- 2b. 320-6726 300 Series SS Jet Insert Directional
- 2s. 320-6775 300 Series Jet Insert Rotator
- 2s. 320-6727 300 Series SS Jet Insert Rotator
- 2. 320-6755 300 Series Jet Assembly
- 3b. 320-6777 400 Series Jet Insert Directional
- 3b. 320-6729 400 Series SS Jet Insert Directional
- 3 320-6756 400 Series Jet Assembly
- 4. 740-0639 Light Assembly
- 4. 740-0294 LED Light Bulb
- 5. 320-6764 Suction Assembly
- 5. 320-6758 Suction Cover
- 6. 320-6752 Floor Drain
- 7. 320-6813 Ozone Jet
- 8. 350-6304 Jet Selector Valve
- 8. 350-6315 Jet Selector Insert
- 8. 350-6358 Jet Selector Cap
- 8. 350-6314 Jet Selector Handle
- 9. 350-6303 Neck & Waterfall Valve
- 9. 350-6326 Neck & Waterfall Insert
- 9. 350-6313 Neck & Waterfall Handle
- 9. 350-6347 Neck & Waterfall Cap
- 9. 350-6326 Neck & Jet Waterfall Insert
- 10. 340-6251 Air Control Valve
- 11. 370-0681 Waterfall
- 12. 370-0245 Canister Assembly
- 12. 20342 25 SQ FT Filter
- 12. 370-0247 Canister Basket
- 12. 370-0248 Weir and Lid for Canister
- 14. 650-0717 Topside Panel
- 14. 650-0740 Topside Panel Overlay
- 16. 990-6373 Pillow (3)
- 17. 740-0376 Theater LED Lens (8)

## Hollywood Equipment



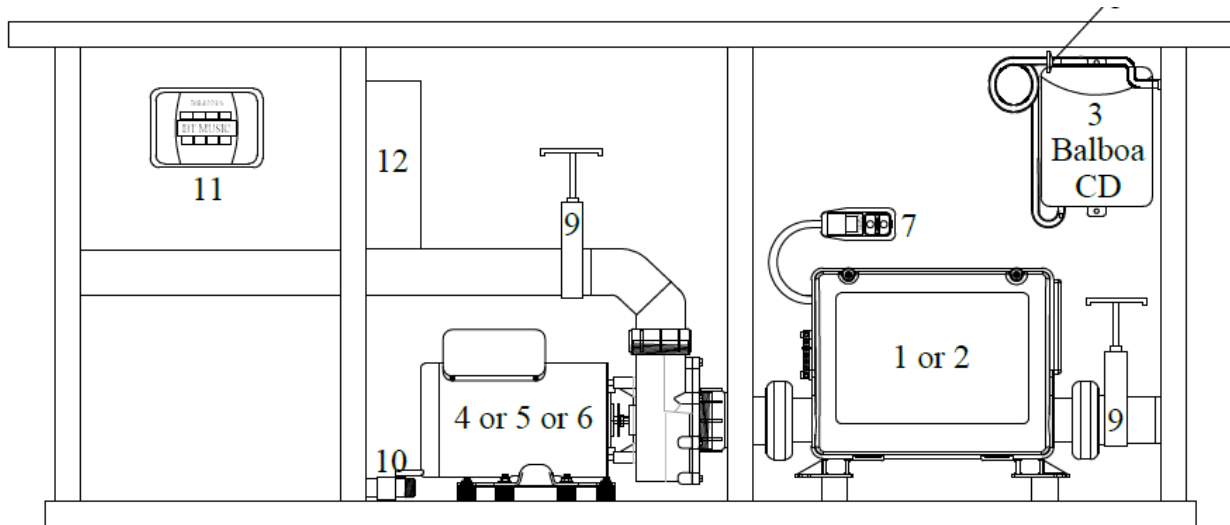
- 1. 650-0747 Spa Pack
- 1. 600-6308 PC Board
- 1. 740-0656 Heater
- 1. 600-6212 Sensors
- 3. 20170 Ozonator
- 4. 630-6122 Pump 2-Speed
- 6. 630-6119 Pump 1-Speed
- 8. 350-0520 ¼" Check Valve
- 9. 350-6225 Slice Valve
- 10. 360-0215 Drain Valve
- 11. 740-0722 Stereo Receiver
- 12. 740-0208 Power Supply
- \*\* 740-0611 Heater Gasket
- \*\* 630-0428 Pump O'ring



## 2018 Broadway

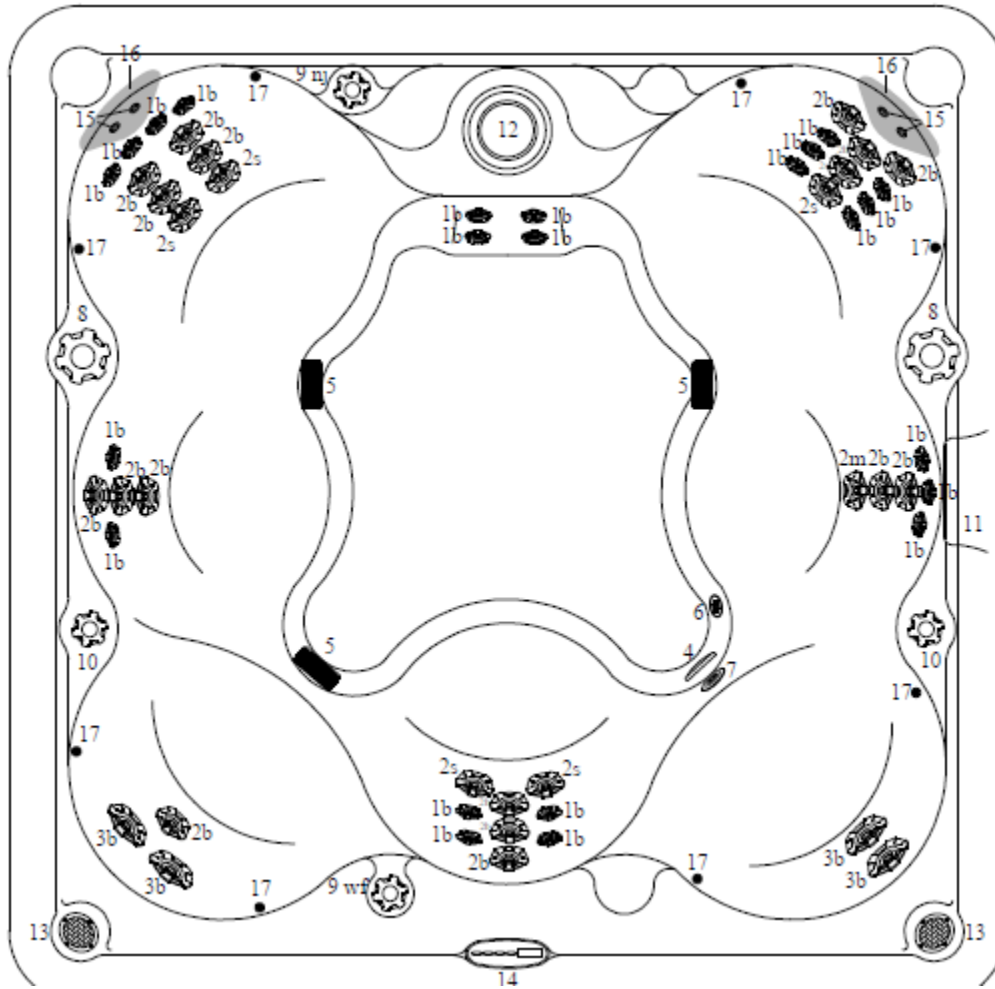
- 1b. 320-6773 200 Series Jet Insert
- 1b. 320-6724 200 Series SS Jet Insert
- 1. 320-6754 200 Series Jet Assembly
- 2b. 320-6774 300 Series Jet Insert Directional
- 2b. 320-6726 300 Series SS Jet Insert Directional
- 2s. 320-6775 300 Series Jet Insert Rotator
- 2s. 320-6727 300 Series SS Jet Insert Rotator
- 2. 320-6755 300 Series Jet Assembly
- 3b. 320-6777 400 Series Jet Insert Directional
- 3b. 320-6729 400 Series SS Jet Insert Directional
- 3 320-6756 400 Series Jet Assembly
- 4. 740-0639 Light Assembly
- 4. 740-0294 LED Light Bulb
- 5. 320-6764 Suction Assembly
- 5. 320-6758 Suction Cover
- 6. 320-6752 Floor Drain
- 7. 320-6813 Ozone Jet
- 8. 350-6304 Jet Selector Valve
- 8. 350-6315 Jet Selector Insert
- 8. 350-6358 Jet Selector Cap
- 8. 350-6314 Jet Selector Handle
- 9. 350-6303 Neck & Waterfall Valve
- 9. 350-6326 Neck & Waterfall Insert
- 9. 350-6313 Neck & Waterfall Handle
- 9. 350-6347 Neck & Waterfall Cap
- 9. 350-6326 Neck & Jet Waterfall Insert
- 10. 340-6251 Air Control Valve
- 11. 370-0681 Waterfall
- 12. 370-0245 Canister Assembly
- 12. 20342 25 SQ FT Filter
- 12. 370-0247 Canister Basket
- 12. 370-0248 Weir and Lid for Canister
- 14. 650-0717 Topside Panel
- 14. 650-0739 Topside Panel Overlay
- 16. 990-6373 Pillow (2)
- 17. 740-0376 Theater LED Lens (8)

## Broadway Equipment



1. 650-0747 Spa Pack
1. 600-6308 PC Board
1. 740-0656 Heater
1. 600-6212 Sensors
3. 20170 Ozonator
4. 630-6122 Pump 2-Speed 240 Volt
8. 350-0520 ¼" Check Valve
9. 350-6225 Slice Valve
10. 360-0215 Drain Valve
11. 740-0722 Stereo Receiver
12. 740-0208 Power Supply
- \*\* 740-0611 Heater Gasket
- \*\* 630-0428 Pump O'ring

## 2018 Vegas



### Physical Specifications

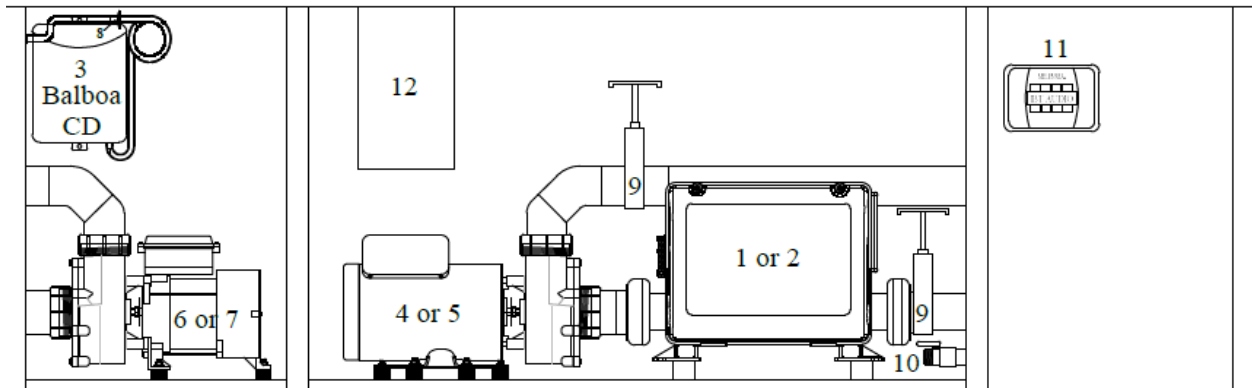
<b>Dimensions</b>	<b>213CM X 213CM 15CM R</b>
<b>Height</b>	<b>86CM</b>
<b>Seats/Postions</b>	<b>7/7</b>
<b>Weight Dry/Full</b>	<b>363k/1762k</b>
<b>Water Capacity</b>	<b>1400L</b>
<b>Jets</b>	<b>50</b>



## 2018 Vegas

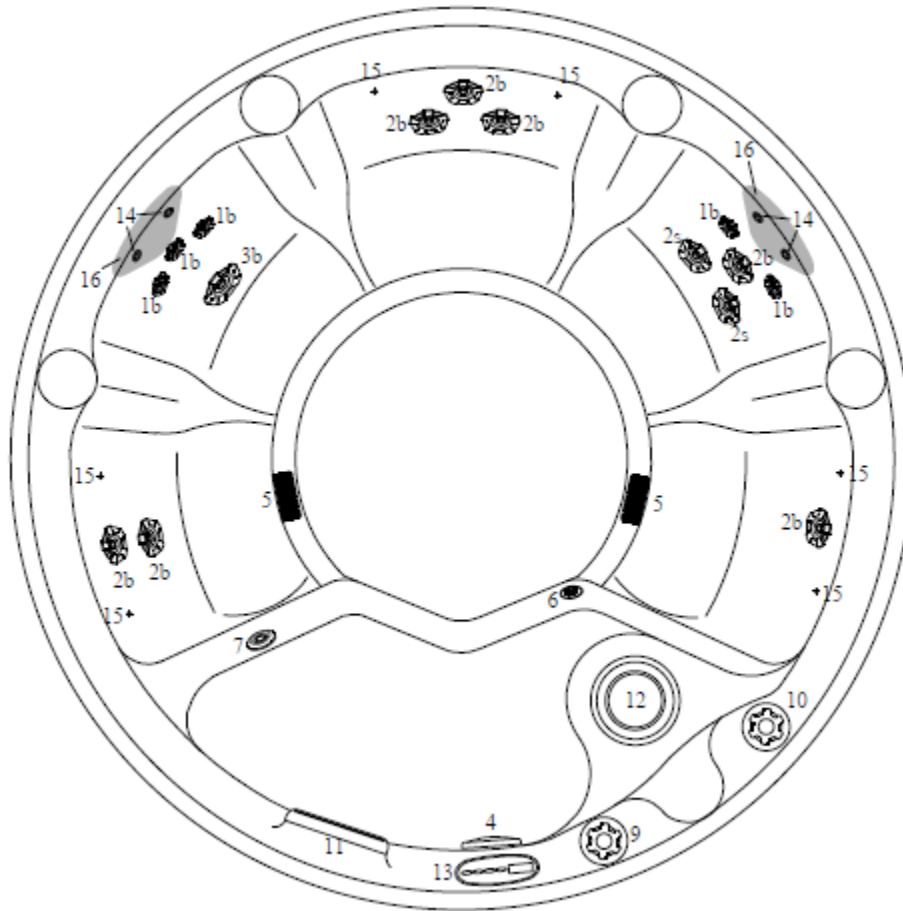
- 1b. 320-6773 200 Series Jet Insert
- 1b. 320-6724 200 Series SS Jet Insert
- 1. 320-6754 200 Series Jet Assembly
- 2b. 320-6774 300 Series Jet Insert Directional
- 2b. 320-6726 300 Series SS Jet Insert Directional
- 2s. 320-6775 300 Series Jet Insert Rotator
- 2s. 320-6727 300 Series SS Jet Insert Rotator
- 2. 320-6755 300 Series Jet Assembly
- 3b. 320-6777 400 Series Jet Insert Directional
- 3b. 320-6729 400 Series SS Jet Insert Directional
- 3 320-6756 400 Series Jet Assembly
- 4. 740-0639 Light Assembly
- 4. 740-0294 LED Light Bulb
- 5. 320-6764 Suction Assembly
- 5. 320-6758 Suction Cover
- 6. 320-6752 Floor Drain
- 7. 320-6813 Ozone Jet
- 8. 350-6304 Jet Selector Valve
- 8. 350-6315 Jet Selector Insert
- 8. 350-6358 Jet Selector Cap
- 8. 350-6314 Jet Selector Handle
- 9. 350-6303 Neck & Waterfall Valve
- 9. 350-6326 Neck & Waterfall Insert
- 9. 350-6313 Neck & Waterfall Handle
- 9. 350-6347 Neck & Waterfall Cap
- 9. 350-6326 Neck & Jet Waterfall Insert
- 10. 340-6251 Air Control Valve
- 11. 370-0681 Waterfall
- 12. 370-0245 Canister Assembly
- 12. 20342 25 SQ FT Filter
- 12. 370-0247 Canister Basket
- 12. 370-0248 Weir and Lid for Canister
- 14. 650-0717 Topside Panel
- 14. 650-0740 Topside Panel Overlay
- 16. 990-6373 Pillow (2)
- 17. 740-0376 Theater LED Lens (8)

## Vegas Equipment



- 1. 650-0747 Spa Pack
- 1. 600-6308 PC Board
- 1. 740-0656 Heater
- 1. 600-6212 Sensors
- 3. 20170 Ozonator
- 4. 630-6122 Pump 2-Speed
- 6. 630-6119 Pump 1-Speed
- 8. 350-0520 ¼" Check Valve
- 9. 350-6225 Slice Valve
- 10. 360-0215 Drain Valve
- 11. 740-0722 Stereo Receiver
- 12. 740-0208 Power Supply
- \*\* 740-0611 Heater Gasket
- \*\* 630-0428 Pump O'ring

## 2018 Napa



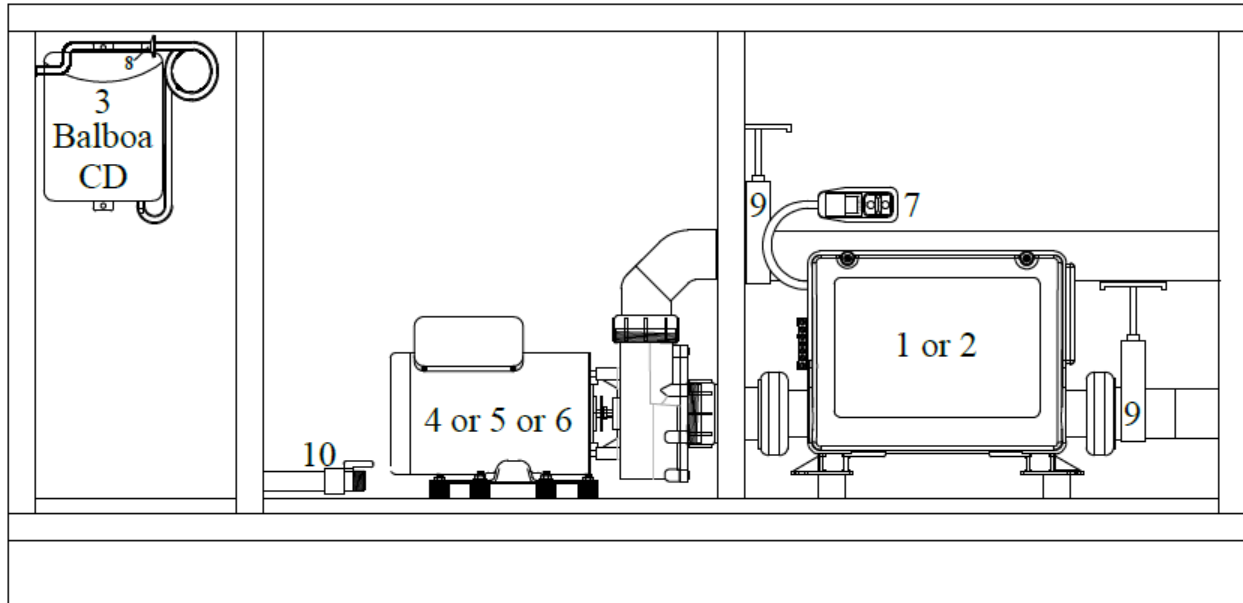
### Physical Specifications

<b>Dimensions</b>	<b>193CM D</b>
<b>Height</b>	<b>86CM</b>
<b>Seats/Postions</b>	<b>5/6</b>
<b>Weight Dry/Full</b>	<b>249K/1195K</b>
<b>Water Capacity</b>	<b>946L</b>
<b>Jets</b>	<b>15</b>

## 2018 Napa

- 1b. 320-6773 200 Series Jet Insert
- 1b. 320-6724 200 Series SS Jet Insert
- 1. 320-6754 200 Series Jet Assembly
- 2b. 320-6774 300 Series Jet Insert Directional
- 2b. 320-6726 300 Series SS Jet Insert Directional
- 2s. 320-6775 300 Series Jet Insert Rotator
- 2s. 320-6727 300 Series SS Jet Insert Rotator
- 2. 320-6755 300 Series Jet Assembly
- 3b. 320-6777 400 Series Jet Insert Directional
- 3b. 320-6729 400 Series SS Jet Insert Directional
- 3 320-6756 400 Series Jet Assembly
- 4. 740-0639 Light Assembly
- 4. 740-0294 LED Light Bulb
- 5. 320-6764 Suction Assembly
- 5. 320-6758 Suction Cover
- 6. 320-6752 Floor Drain
- 7. 320-6813 Ozone Jet
- 8. 350-6304 Jet Selector Valve
- 8. 350-6315 Jet Selector Insert
- 8. 350-6358 Jet Selector Cap
- 8. 350-6314 Jet Selector Handle
- 9. 350-6303 Neck & Waterfall Valve
- 9. 350-6326 Neck & Waterfall Insert
- 9. 350-6313 Neck & Waterfall Handle
- 9. 350-6347 Neck & Waterfall Cap
- 9. 350-6326 Neck & Jet Waterfall Insert
- 10. 340-6251 Air Control Valve
- 11. 370-0681 Waterfall
- 12. 370-0245 Canister Assembly
- 12. 20342 25 SQ FT Filter
- 12. 370-0247 Canister Basket
- 12. 370-0248 Weir and Lid for Canister
- 14. 650-0717 Topside Panel
- 14. 650-0739 Topside Panel Overlay
- 16. 990-6373 Pillow (2)
- 17. 740-0376 Theater LED Lens (8)

## Napa Equipment



- 1. 650-0747 Spa Pack
- 1. 600-6308 PC Board
- 1. 740-0656 Heater
- 1. 600-6212 Sensors
- 3. 20170 Ozonator
- 4. 630-6122 Pump 2-Speed 240 Volt
- 8. 350-0520 ¼" Check Valve
- 9. 350-6225 Slice Valve
- 10. 360-0215 Drain Valve
- \*\* 740-0611 Heater Gasket
- \*\* 630-0428 Pump O'ring

## ACCESSORIES

1. 740-0722 Stereo receiver
2. 740-0696 Speaker
3. 740-0376 Theater Light Lens
4. 740-0288 2-Way LED Light
5. 740-0289 4-Way LED Light
6. 740-0291 72" Extension Cable for LED Lights
7. 740-0292 60" Extension Cable for LED Lights
8. 740-0294 9 Bulb LED Main Light
9. 020-6173 Door Knob Black
10. 020-0813 Cabinet Screw