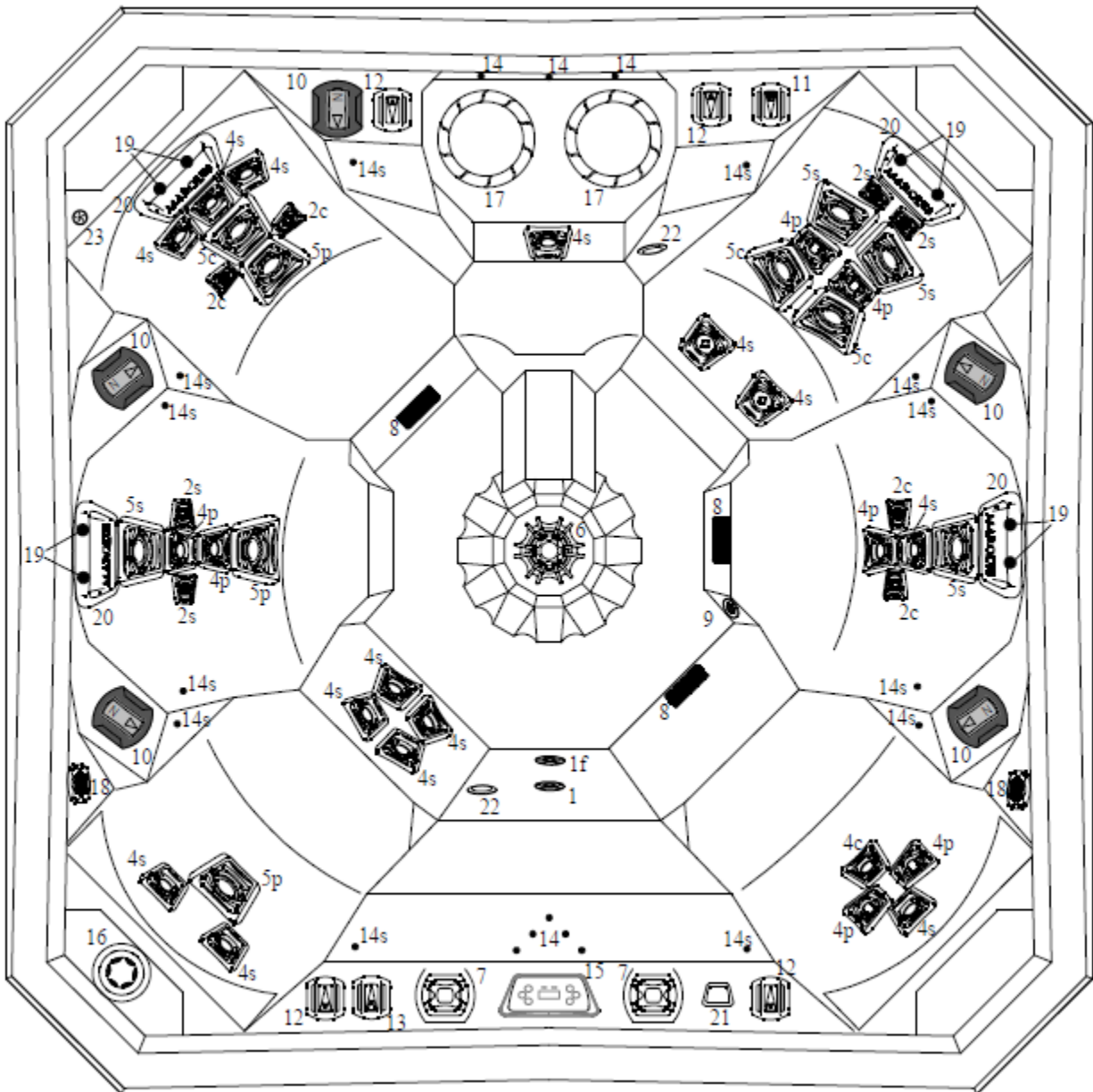


VECTOR21

2018 EU Vector21 Parts Book

VECTOR21 V94



SIZE: 239CM x239CM X 92CM

SEATING: 8

WATER CAPACITY: 1514L

JETPODS: 40

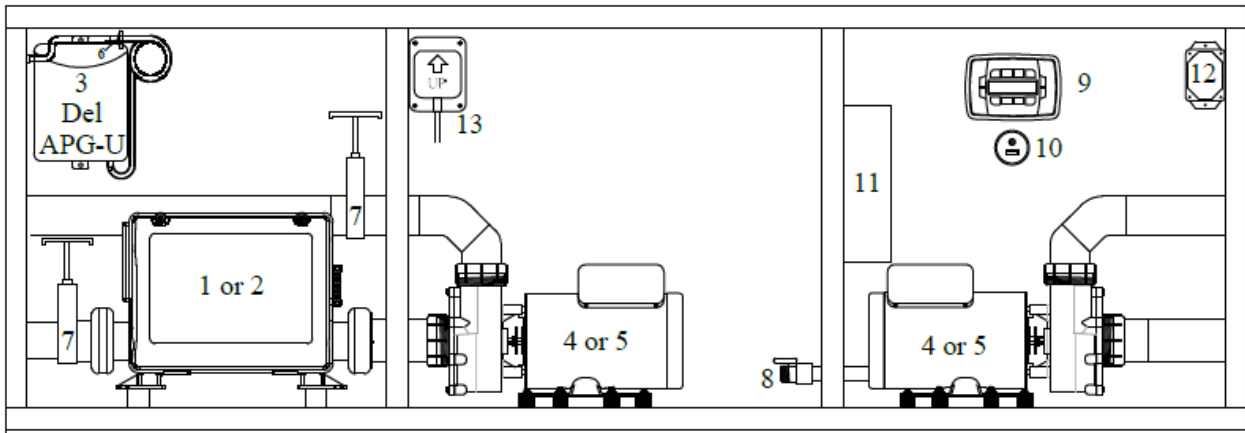
WHITewater-4 JETS: 1

WEIGHT DRY/FULL: 381K/ 1894K

VECTOR21 V94

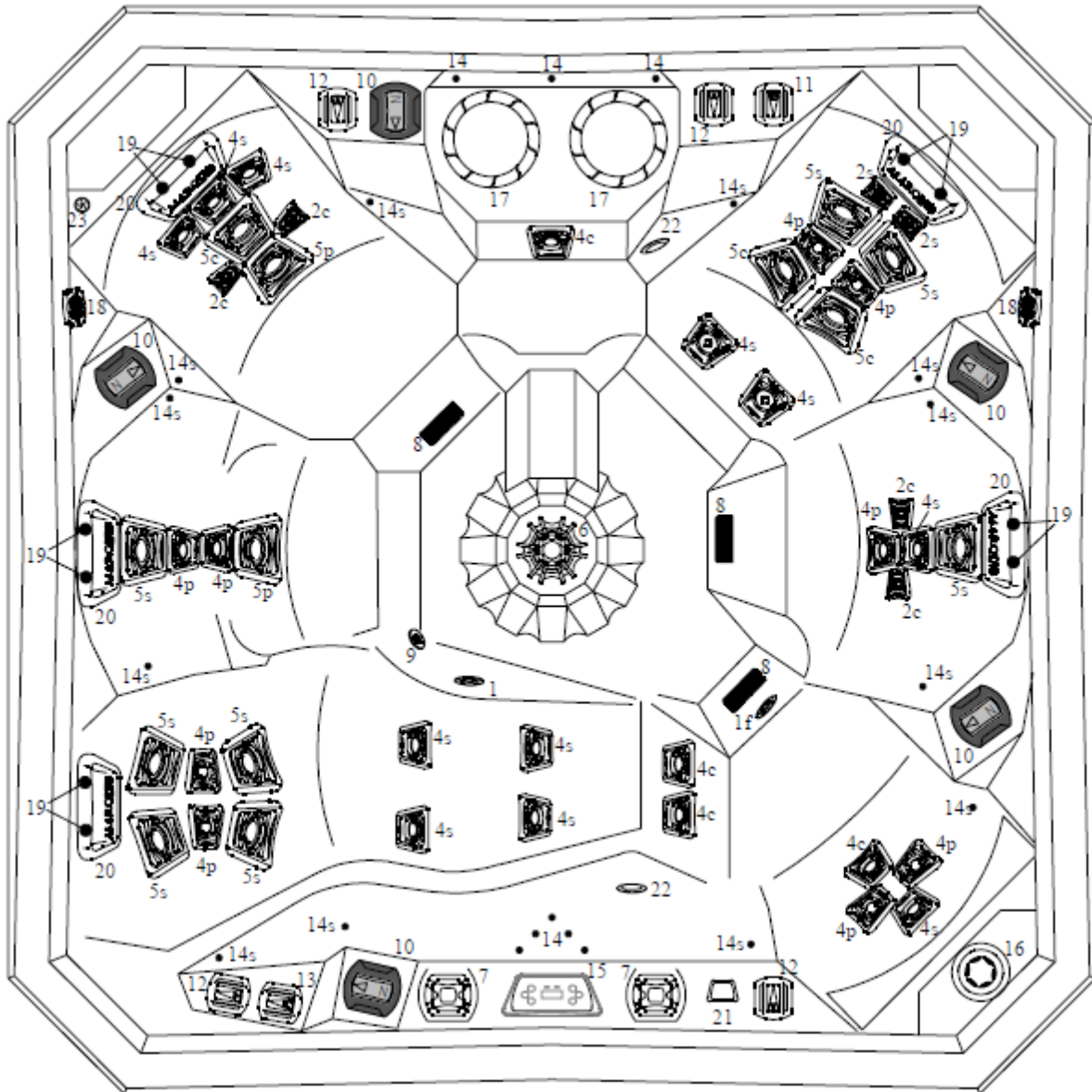
1. HK 40 Jet Assembly	320-6655	12 Air Control	340-6255 (4)
1. HK 40 Jet Deco Plate SS	320-6654	13. Water Feature Valve	350-6376
2. Vector 200 Jet Body	320-6815 (8)	14. Starlight Lens	740-0378 (20)
2s. Vector 200 Directional Jet	320-6803 (4)	14. LED Light 4-way	740-0289 (1)
2c. Vector 200 Cone	320-6804 (4)	14. LED Light 6-way	740-0290 (4)
4. Vector 400 Jet Body	320-6817 (22)	14. LED Extension Cable 6'	740-0292
4s. Vector 400 Directional Jet	320-6806 (14)	15. Topside Panel	650-0759
4c. Vector 400 Cone Jet	320-6807 (1)	15. Topside Panel Overlay	650-0758
4p. Vector 400 Spinner Jet	320-6808 (7)	16. Spa Frog Assembly	990-0793
5. Vector 500 Jet Assembly	320-6820 (10)	16. Spa Frog Cartridge Holder	990-0775
5s. Vector 500 Directional Jet	320-6810 (4)	17. Filter Canister	370-0223 (2)
5c. Vector 500 Cone Jet	320-6811 (3)	17. Filter 35sqft Threaded	20092 (2)
5p. Vector 500 Spinner Jet	320-6812 (3)	18. Speaker	740-0719 (2)
6. Whitewater Jet	320-6801	18. Speaker Grill	740-0720(2)
7. Pop Up Water Feature	740-0305 (2)	19-20. Pillow	990-6378 (4)
8. Suction Assembly	320-6764 (3)	21. MicroSilk Panel	650-0761
8. Suction Cover	320-6758	21. MicroSilk Panel Overlay	650-0762
9. Floor Drain	320-6752		
10. Jet Selector Valve	350-6375 (4)		
11. Neck Jet Valve	350-6377		

Vector21 V94 Equipment



1. Spa pack	740-0747
1. PC Board	600-6308
1. Sensors	600-6212
1. Heater	740-0656
3. Ozonator	20170
4. Pumps	630-6122
6. Check Valve	650-0520
7. Slice Valve	350-6225
8. Drain Bib	360-0215
9. Stereo	740-0722
10. Audio Port	740-0704
11. Power Supply	740-0208
12. Light Controller	740-0293
13. WIFI Transceiver	740-0710
** Heater Gasket	740-0611
** Pump O'Ring	630-0428
**Microsilks Pump	630-6145

Vector21 V94L



SIZE: 239CM x239Cm4 X 92CM

SEATING: 8

WATER CAPACITY: 1514L

JETPODS: 43

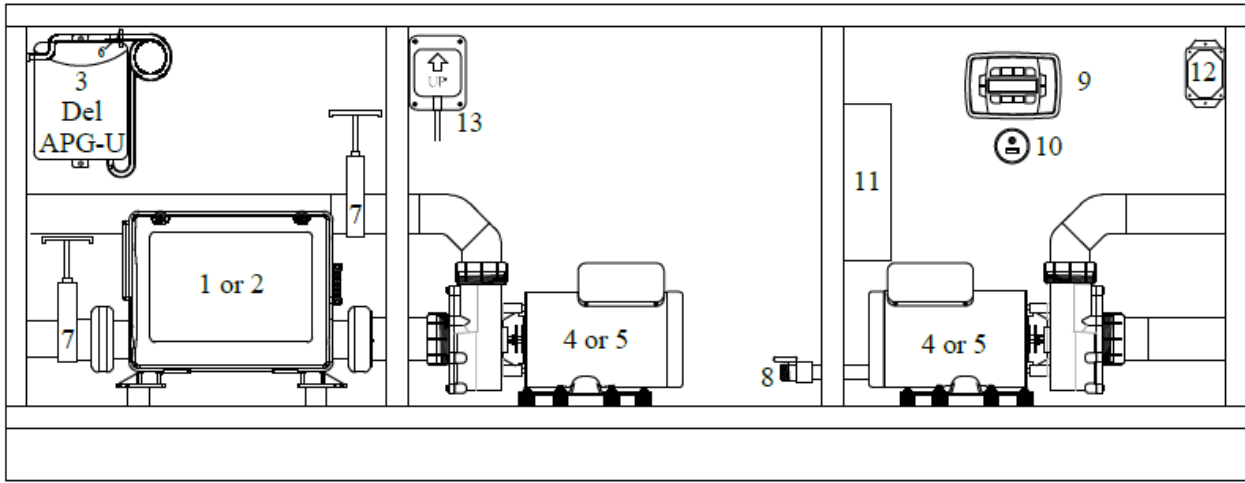
WHITEWATER-4 JETS: 1

WEIGHT DRY/FULL: 381K/ 1894K

Vector21 V94L

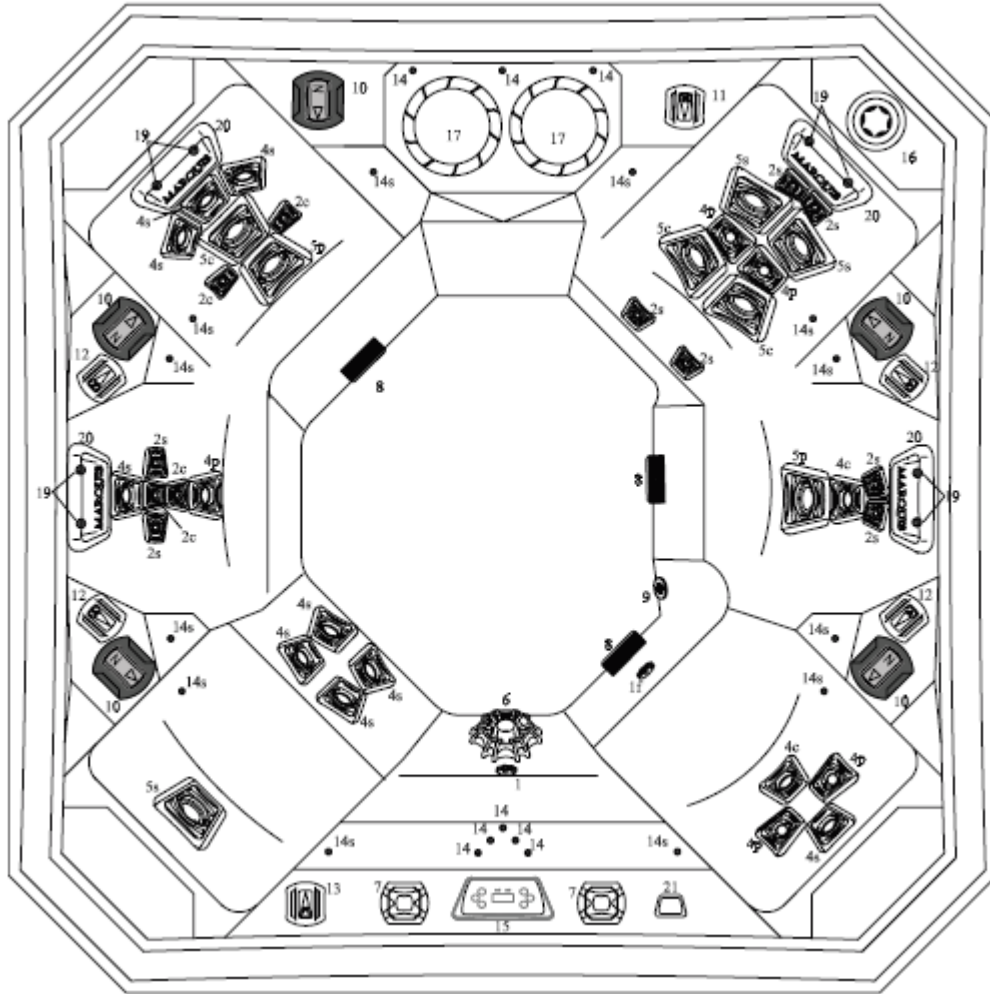
1. HK 40 Jet Assembly	320-6655	11. Neck Jet Valve	350-6377
1. HK 40 Jet Deco Plate SS	320-6654	12. Air Control	340-6255 (4)
2. Vector 200 Jet Body	320-6815 (8)	13. Water Feature Valve	350-6376
2s. Vector 200 Directional Jet	320-6803 (4)	14. Starlight Lens	740-0378 (20)
2c. Vector 200 Cone	320-6804 (4)	14. LED Light 4-way	740-0289 (1)
4. Vector 400 Jet Body	320-6817 (22)	14. LED Light 6-way	740-0290 (4)
4s. Vector 400 Directional Jet	320-6806 (14)	14. LED Extension Cable 6'	740-0292
4c. Vector 400 Cone Jet	320-6807 (1)	15. Topside Panel	650-0759
4p. Vector 400 Spinner Jet	320-6808 (7)	15. Topside Panel Overlay	650-0758
5. Vector 500 Jet Assembly	320-6820 (10)	16. Spa Frog Assembly	990-0793
5s. Vector 500 Directional Jet	320-6810 (4)	16. Spa Frog Cartridge Holder	990-0775
5c. Vector 500 Cone Jet	320-6811 (3)	17. Filter Canister	370-0223 (2)
5p. Vector 500 Spinner Jet	320-6812 (3)	17. Filter 35sqft Threaded	20092 (2)
6. Whitewater Jet	320-6801	18. Speaker	740-0719 (2)
7. Pop Up Water Feature	740-0305 (2)	18. Speaker Grill	740-0720(2)
8. Suction Assembly	320-6764 (3)	19-20. Pillow	990-6378 (4)
8. Suction Cover	320-6758	21. MicroSilk Panel	650-0761
9. Floor Drain	320-6752	21. MicroSilk Panel Overlay	650-0762
10. Jet Selector Valve	350-6375 (4)		

Vector21 V94L Equipment



1. Spa pack	740-0747
1. PC Board	600-6308
1. Sensors	600-6212
1. Heater	740-0656
3. Ozonator	20170
4. Pumps	630-6122
6. Check Valve	650-0520
7. Slice Valve	350-6225
8. Drain Bib	360-0215
9. Stereo	740-0722
10. Audio Port	740-0704
11. Power Supply	740-0208
12. Light Controller	740-0293
13. WIFI Transceiver	740-0710
** Heater Gasket	740-0611
** Pump O'Ring	630-0428
** Microsilk Pump	630-6145

Vector21 V84



SIZE: 213 x 213 X 91CM

SEATING: 6

WATER CAPACITY: 1211L

JETPODS: 37

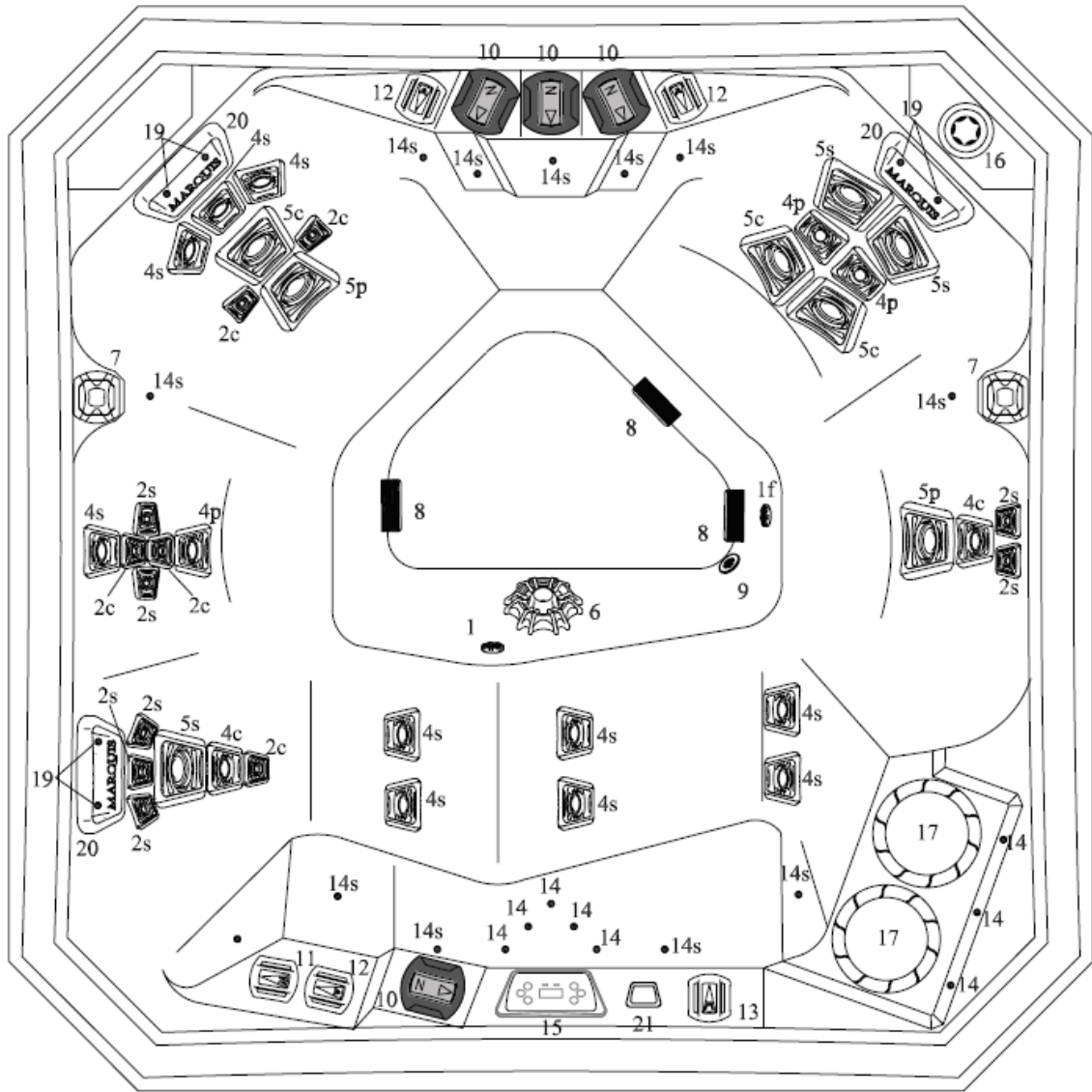
WHITEWATER-4 JETS: 1

WEIGHT: DRY/FULL 317K/1529K

Vector21 V84

1. HK 40 Jet Assembly	320-6655	11. Neck Jet Valve	350-6377
1. HK 40 Jet Deco Plate SS	320-6654	12. Air Control	340-6255 (4)
2. Vector 200 Jet Body	320-6815 (12)	13. Water Feature Valve	350-6376
2s. Vector 200 Directional Jet	320-6803 (8)	14. Starlight Lens	740-0378 (12)
2c. Vector 200 Cone	320-6804 (4)	14. LED Light 4-way	740-0289 (1)
4. Vector 400 Jet Body	320-6817 (16)	14. LED Light 6-way	740-0290 (4)
4s. Vector 400 Directional Jet	320-6806 (9)	14. LED Extension Cable 6'	740-0292
4c. Vector 400 Cone Jet	320-6807 (2)	15. Topside Panel	650-0759
4p. Vector 400 Spinner Jet	320-6808 (5)	15. Topside Panel Overlay	650-0758
5. Vector 500 Jet Assembly	320-6820 (8)	16. Spa Frog Assembly	990-0793
5s. Vector 500 Directional Jet	320-6810 (3)	16. Spa Frog Cartridge Holder	990-0775
5c. Vector 500 Cone Jet	320-6811 (3)	17. Filter Canister	370-0223 (2)
5p. Vector 500 Spinner Jet	320-6812 (2)	17. Filter 35sqft Threaded	20092 (2)
6. Whitewater Jet	320-6801	18. Speaker	740-0719 (2)
7. Pop Up Water Feature	740-0305 (2)	18. Speaker Grill	740-0720(2)
8. Suction Assembly	320-6764 (3)	19-20. Pillow	990-6378 (4)
8. Suction Cover	320-6758	21. MicroSilk Panel	650-0761
9. Floor Drain	320-6752	21. MicroSilk Panel Overlay	650-0762
10. Jet Selector Valve	350-6375 (5)		

Vector21 V84L



SIZE: 213 x 213 X 91CM

SEATING: 6

WATER CAPACITY: 1211L

JETPODS: 36

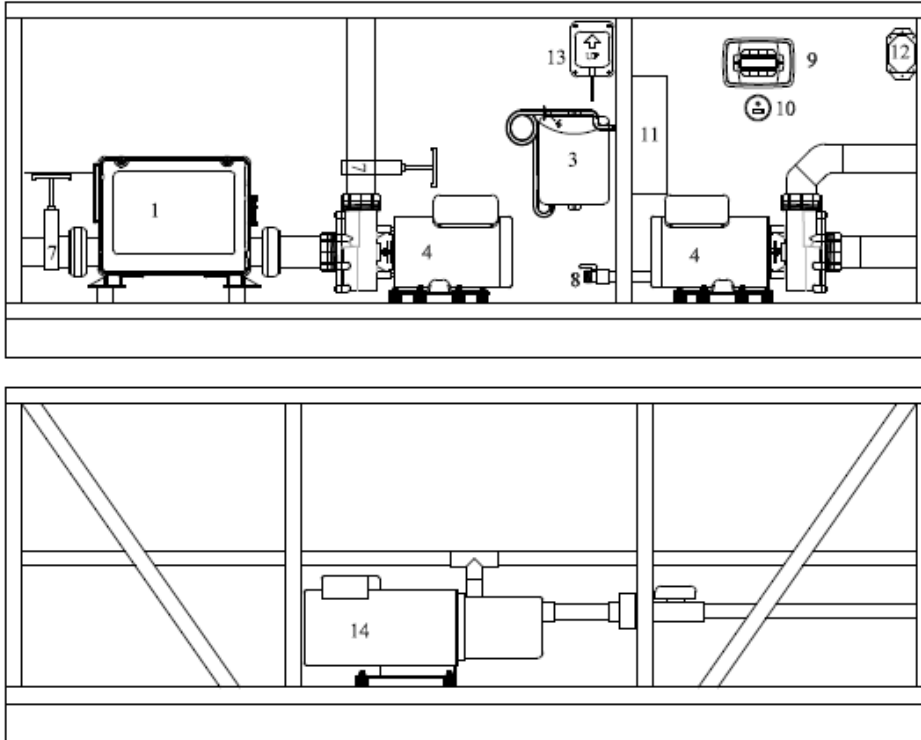
WHITewater-4 JETS: 1

WEIGHT: DRY/FULL 317K/1605K

Vector21 V84L

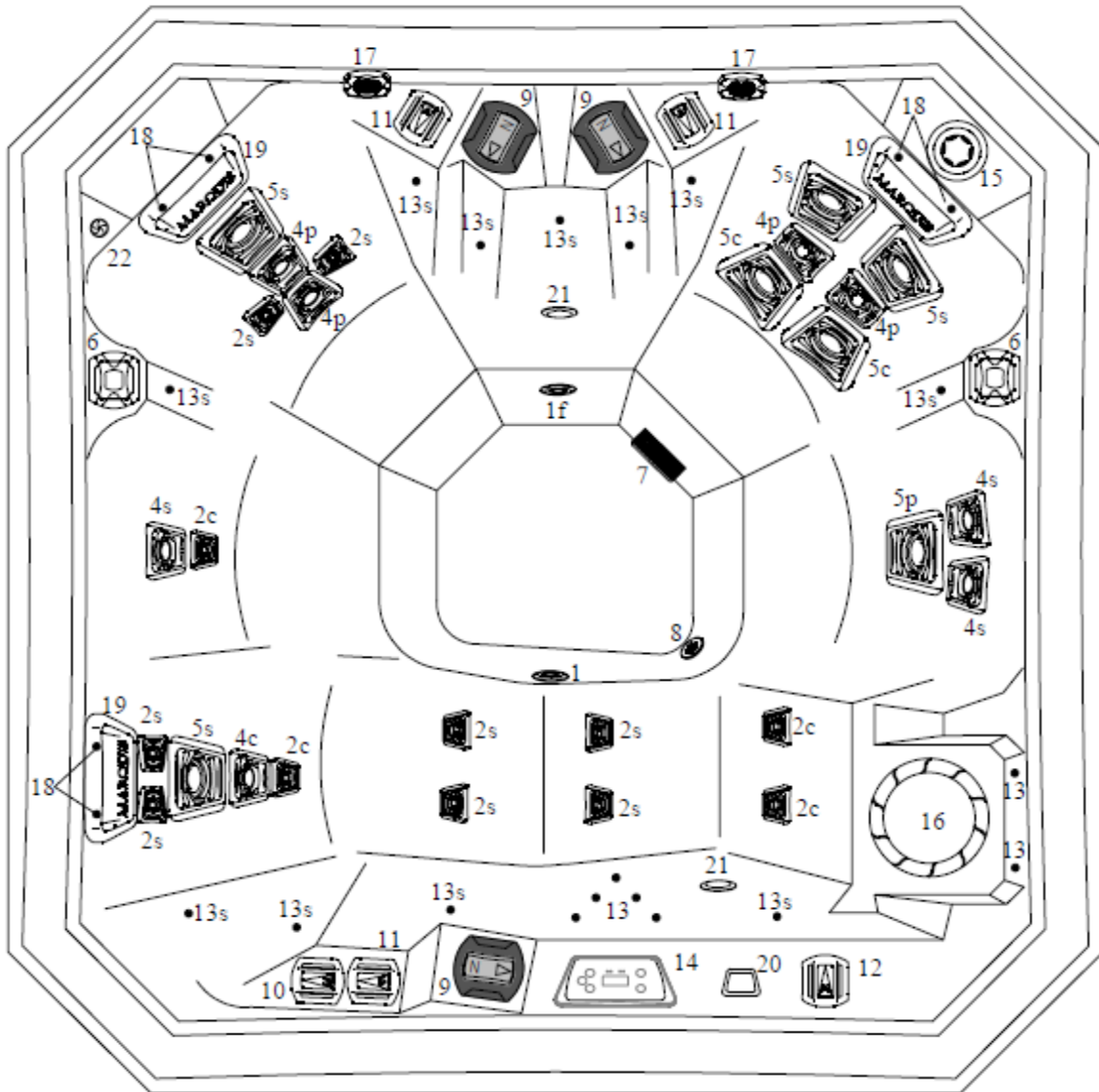
1. HK 40 Jet Assembly	320-6655	11. Neck Jet Valve	350-6377
1. HK 40 Jet Deco Plate SS	320-6654	12. Air Control	340-6255 (2)
2. Vector 200 Jet Body	320-6815 (12)	13. Water Feature Valve	350-6376
2s. Vector 200 Directional Jet	320-6803 (7)	14. Starlight Lens	740-0378 (12)
2c. Vector 200 Cone	320-6804 (5)	14. LED Light 4-way	740-0289 (1)
4. Vector 400 Jet Body	320-6817 (15)	14. LED Light 6-way	740-0290 (4)
4s. Vector 400 Directional Jet	320-6806 (10)	14. LED Extension Cable 6'	740-0292
4c. Vector 400 Cone Jet	320-6807 (2)	15. Topside Panel	650-0759
4p. Vector 400 Spinner Jet	320-6808 (3)	15. Topside Panel Overlay	650-0758
5. Vector 500 Jet Assembly	320-6820 (8)	16. Spa Frog Assembly	990-0793
5s. Vector 500 Directional Jet	320-6810 (3)	16. Spa Frog Cartridge Holder	990-0775
5c. Vector 500 Cone Jet	320-6811 (3)	17. Filter Canister	370-0223 (2)
5p. Vector 500 Spinner Jet	320-6812 (2)	17. Filter 35sqft Threaded	20092 (2)
6. Whitewater Jet	320-6801	18. Speaker	740-0719 (2)
7. Pop Up Water Feature	740-0305 (2)	18. Speaker Grill	740-0720(2)
8. Suction Assembly	320-6764 (3)	19-20. Pillow	990-6378 (4)
8. Suction Cover	320-6758	21. MicroSilk Panel	650-0761
9. Floor Drain	320-6752	21. MicroSilk Panel Overlay	650-0762
10. Jet Selector Valve	350-6375 (4)		

Vector21 V84 & V84L



- | | |
|----------------------|----------|
| 1. Spa pack | 740-0747 |
| 1. PC Board | 600-6308 |
| 1. Sensors | 600-6212 |
| 1. Heater | 740-0656 |
| 3. Ozonator | 20170 |
| 4. Pumps | 630-6122 |
| 6. Check Valve | 650-0520 |
| 7. Slice Valve | 350-6225 |
| 8. Drain Bib | 360-0215 |
| 9. Stereo | 740-0722 |
| 10. Audio Port | 740-0704 |
| 11. Power Supply | 740-0208 |
| 12. Light Controller | 740-0293 |
| 13. WIFI Transceiver | 740-0710 |
| ** Heater Gasket | 740-0611 |
| ** Pump O'Ring | 630-0428 |
| ** Microsilik Pump | 630-6145 |

Vector21 V77L



SIZE: 195CM x 195CM X 92CM

SEATING: 6

WATER CAPACITY: 1022L

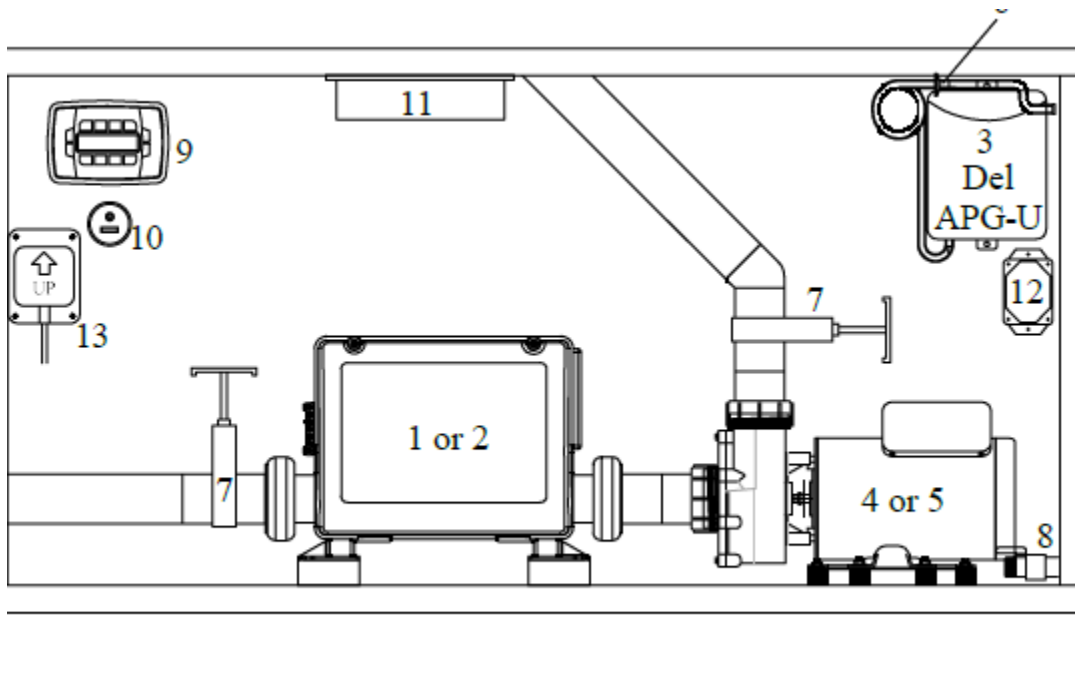
JETPODS: 27

WEIGHT DRY/FULL: 249K/1272K

Vector21 V77L

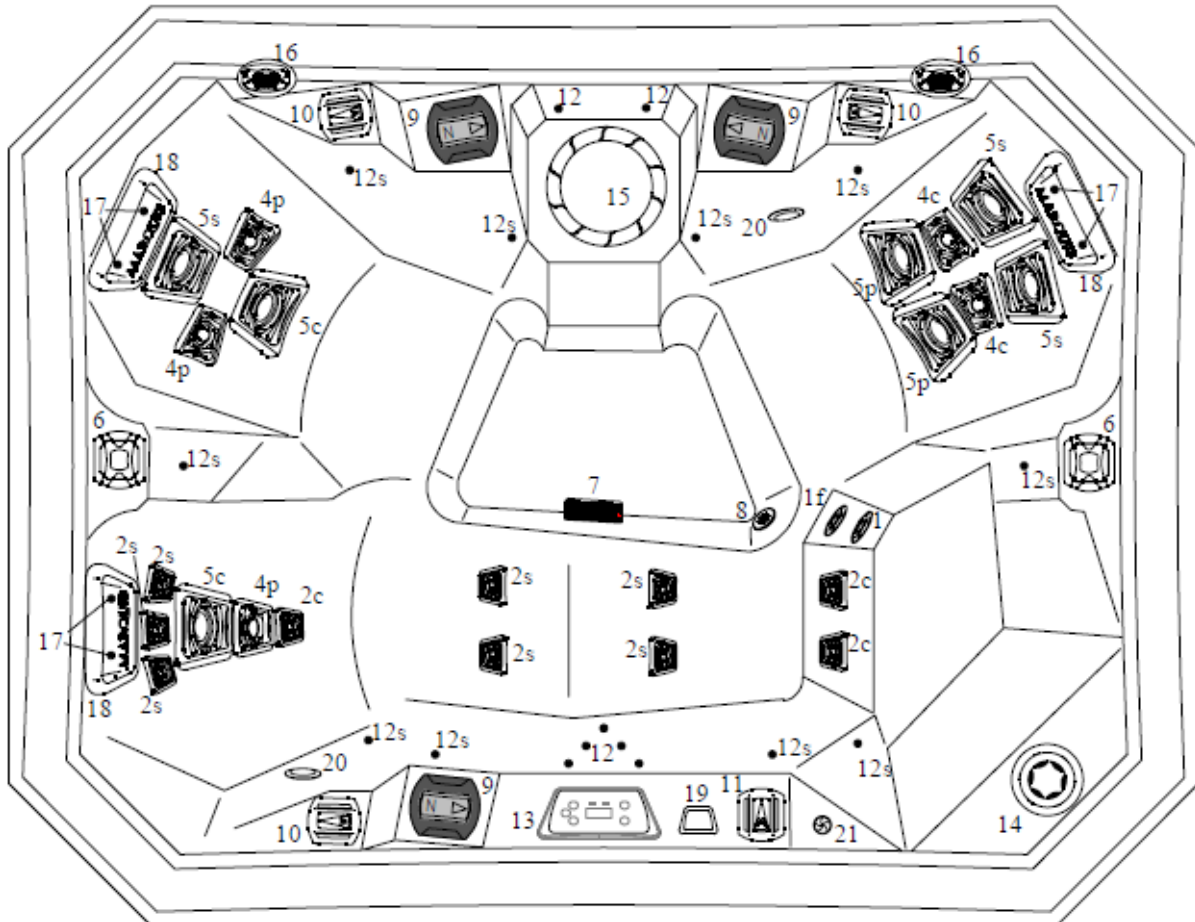
1. HK 40 Jet Assembly	320-6655	12. Water Feature Valve	350-6376
1. HK 40 Jet Deco Plate SS	320-6654	13. Starlight Lens	740-0378 (17)
2. Vector 200 Jet Body	320-6815 (12)	13. LED Light 4-way	740-0289 (1)
2s. Vector 200 Directional Jet	320-6803 (8)	13. LED Light 6-way	740-0290 (3)
2c. Vector 200 Cone	320-6804 (4)	14. Topside Panel	650-0759
4. Vector 400 Jet Body	320-6817 (8)	14. Topside Overlay 1-Pump	650-0757
4s. Vector 400 Directional Jet	320-6806 (3)	14. Topside Overlay 2-Pump	650-0758
4c. Vector 400 Cone Jet	320-6807 (1)	15. Spa Frog Assembly	990-0793
4p. Vector 400 Spinner Jet	320-6808 (4)	15. Spa Frog Cartridge Holder	990-0775
5. Vector 500 Jet Assembly	320-6820 (7)	16. Filter Canister	370-0223 (1)
5s. Vector 500 Directional Jet	320-6810 (4)	16. Filter 35sqft Threaded	20092 (1)
5c. Vector 500 Cone Jet	320-6811 (2)	17. Speaker	740-0719 (2)
5p. Vector 500 Spinner Jet	320-6812 (1)	17. Speaker Grill	740-0720(2)
7. Suction Assembly	320-6764 (3)	19. Pillow	990-6378 (3)
7. Suction Cover	320-6758	20. MicroSilk Panel	650-0761
8. Floor Drain	320-6752	20. MicroSilk Panel Overlay	650-0762
9. Jet Selector Valve	350-6375 (3)		
10. Neck Jet Valve	350-6377		
11. Air Control	340-6255		

Vector21 V77L Equipment



1. Spa pack	740-0747
1. PC Board	600-6308
1. Sensors	600-6212
1. Heater	740-0656
3. Ozonator	20170
4. Pumps	630-6122
6. Check Valve	650-0520
7. Slice Valve	350-6225
8. Drain Bib	360-0215
9. Stereo	740-0722
10. Audio Port	740-0704
11. Power Supply	740-0208
12. Light Controller	740-0293
13. WIFI Transceiver	740-0710
** Heater Gasket	740-0611
** Pump O'Ring	630-0428
** Microsilks Pump	630-6145

VECTOR21 V65L



SIZE: 165CM x 213CM X 75CM

SEATING: 4

WATER CAPACITY: 795L

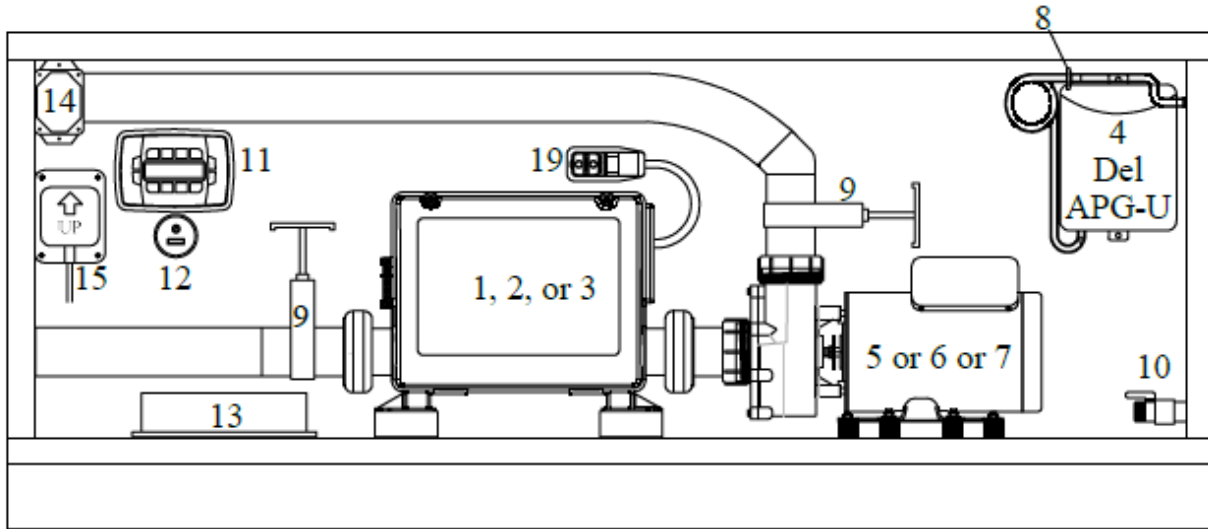
JETPODS: 22

WEIGHT DRY/FULL: 200K/994K

VECTOR21 V65L

1. HK 40 Jet Assembly	320-6655	10. Air Control	340-6255 (4)
1. HK 40 Jet Deco Plate SS	320-6654	11. Water Feature Valve	350-6376
2. Vector 200 Jet Body	320-6815 (10)	12. Starlight Lens	740-0378 (7)
2s. Vector 200 Directional Jet	320-6803 (7)	12. LED Light 4-way	740-0289 (1)
2c. Vector 200 Cone	320-6804 (3)	12. LED Light 6-way	740-0290 (3)
4. Vector 400 Jet Body	320-6817 (5)	13. Topside Panel	650-0759
4s. Vector 400 Directional Jet	320-6806 (0)	13. Topside Panel Overlay	650-0757
4c. Vector 400 Cone Jet	320-6807 (2)	14. Spa Frog Assembly	990-0793
4p. Vector 400 Spinner Jet	320-6808 (3)	14. Spa Frog Cartridge Holder	990-0775
5. Vector 500 Jet Assembly	320-6820 (7)	15. Filter Canister	370-0223 (1)
5s. Vector 500 Directional Jet	320-6810 (3)	15. Filter 35sqft Threaded	20092 (1)
5c. Vector 500 Cone Jet	320-6811 (2)	16. Speaker	740-0719 (2)
5p. Vector 500 Spinner Jet	320-6812 (2)	16. Speaker Grill	740-0720(2)
6. Pop Up Water Feature	740-0305 (2)	18. Pillow	990-6378 (4)
7. Suction Assembly	320-6764 (3)	19. MicroSilk Panel	650-0761
7. Suction Cover	320-6758	20. MicroSilk Panel Overlay	650-0762
8. Floor Drain	320-6752		
9. Jet Selector Valve	350-6375 (4)		

Vector21 V65L Equipment



1. Spa pack 240V	740-0747
1. PC Board 120V	600-6308
1. Sensors	600-6212
1. Heater	740-0656
4. Ozonator	20170
5. Pump 240V	630-6122
8. Check Valve	650-0520
9. Slice Valve	350-6225
10. Drain Bib	360-0215
11. Stereo	740-0722
12. Audio Port	740-0704
13. Power Supply	740-0208
14. Light Controller	740-0293
15. WIFI Transceiver	740-0710
** Heater Gasket	740-0611
** Pump O'Ring	630-0428
** MicroSilk Pump	630-6145